

Technical sheet :

# **MLT 737-130 PS+**

---



 **MANITOU**  
HANDLING YOUR WORLD

Capacities		Imperial
Max. capacity	Q	8157 lb
Max. lifting height	h3	22 ft 8 in
Maximum outreach		12 ft 10 in
Reach at max. height		3 ft 3 in
Breakout force with bucket		6236 daN
Weight and dimensions		
Unladen weight (with forks)		16865 lb
Ground clearance	m4	1 ft 4 in
Wheelbase	y	9 ft 3 in
Overall length to carriage (with hitch)	l11	16 ft 4 in
Overall length to carriage (without hitch)	l3	15 ft 9 in
Front overhang		4 ft
Overall width	b1	7 ft 10 in
Overall cab width	b4	3 ft 1 in
Overall height	h17	7 ft 10 in
Tilt-down angle	a5	134 °
Tilt-up angle	a4	12 °
External turning radius (over tyres)	Wa1	12 ft 11 in
Standard tires		Alliance - A580 - 460/70 R24 159A8
Drive wheels (front / rear)		2 / 2
Steering wheels (front / rear)		2 / 2
Performances		
Lifting		6.80 s
Lowering		7.10 s
Extension		5.80 s
Retraction		5.20 s
Crowd		3.20 s
Dump		2.80 s
Engine		
Engine brand		Deutz
Engine nom		Stage V
Engine model		TCD 3.6 L4
Number of cylinders - Capacity of cylinders		4 - 221 in <sup>3</sup>
I.C. Engine power rating / Power		129 Hp / 95 kW
Max. torque / Engine rotation		369 ft/lbs @1600 rpm
Drawbar pull (Laden)		7800 daN
Reversible fan		Standard
Engine cooling system		4 radiators (water + intercooler + hydraulic oil + transmission oil)
HVO validated (according to EN 15940 standard)		Yes
Transmission		
Transmission type		Torque converter
Gearbox		Powershift
Number of gears (forward / reverse)		6 / 3
Max. travel speed (may vary according to applicable regulations)		25 mph
Differential lock		Limited slip differential on front axle
Parking brake		Automatic negative parking brake
Service brake		Oil-immersed multi-discs braking on front & rear axles
Hydraulics		
Hydraulic pump type		Variable displacement pump
Hydraulic flow - Pressure		40 US gpm - 3916 PSI
Flow sharing distributor		Standard
Tank capacities		
Hydraulic tank capacity		36 US gal
Fuel tank		32 US gal
Diesel Exhaust fluid (AdBlue® type)		3 US gal
Noise and vibration		
Noise at driving position (LpA) tested following NF EN 12053 nom		72 dB
Noise to environment (LwA)		105 dB
Vibration on hands/arms		< 2.50 m/s <sup>2</sup>
Miscellaneous		
Tractor homologation		Tractor homologation
Cab certification		Cabin ROPS - FOPS level 2
Controls		JSM

## Optional tires tab

	Overall height	Overall width
TRELLEBORG - TH400 - 460/70 R24 159A8	7 ft 9 in	7 ft 10 in
TRELLEBORG - TH400 - 500/70 R24 164A8	7 ft 10 in	7 ft 11 in
MICHELIN - XMCL - 500/70 R24 164A8	7 ft 10 in	8 ft
MICHELIN - BIBLOAD - 460/70 R24 159A8	7 ft 9 in	7 ft 10 in
MICHELIN - BIBLOAD - 500/70 R24 164A8	7 ft 10 in	8 ft
MICHELIN - XHA - 15.5 R25 158A2	7 ft 9 in	7 ft 10 in
NOKIAN - TRI STEEL - 460/65 R24 156A8	7 ft 9 in	7 ft 10 in
MICHELIN - XMCL - 460/70 R24 159A8	7 ft 9 in	7 ft 10 in
VREDESTEIN - ENDURION - 460/70 R24 159A8	7 ft 10 in	7 ft 11 in
VREDESTEIN - ENDURION - 500/70 R24 164A8	7 ft 11 in	8 ft
TRELLEBORG - TH500 - 460/70 R24 159A8	7 ft 9 in	7 ft 10 in
ALLIANCE - A585 - 460/70 R24 159A8	7 ft 9 in	7 ft 10 in

## Options / Finishing

S : Standard / O : Optional / - : Not available

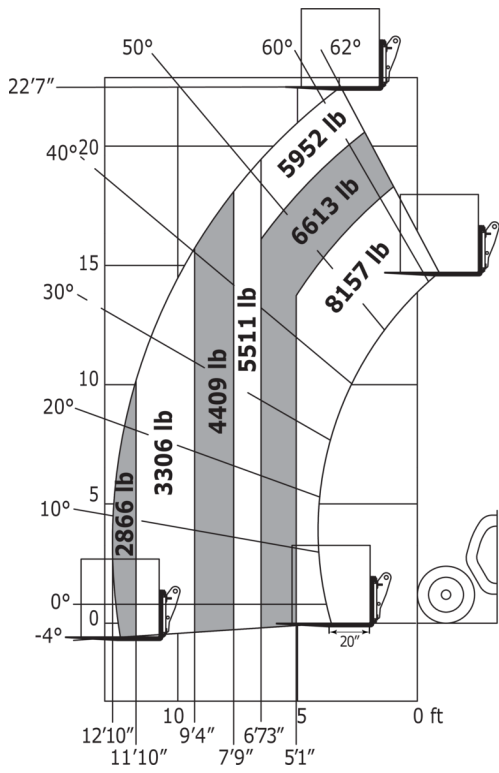
	Classic	Premium	Elite
<b>Lifting function</b>			
Attachment hydraulic locking	O	O	O
Intelligent Hydraulics	O	O	O
Regenerative Hydraulics	O	O	O
<b>Operator station</b>			
Air suspension fabric seat - GRAMMER	O	S	-
Automatic air conditioning	O	O	S
Automatic wheel alignment	O	O	S
Bluetooth USB radio - With extra microphone - 100W	O	O	S
Bluetooth USB radio - With integrated microphone - 100W	O	S	-
Boom suspension - "Active CRC"	O	O	S
Exterior right electric rear-view mirror with de-icing	O	O	S
Extra front wiper	O	S	S
Hamony screen - 5 in.	S	S	-
HighView camera on boom head (telescopic part)	O	O	O
Low frequency air suspension fabric seat - GRAMMER	O	O	S
Low frequency air suspension fabric seat with heating - GRAMMER	O	O	O
Manual air conditioning	O	S	-
Mechanical cloth-covered seat (GRAMMER)	S	-	-
SafeView camera pack - Right hand side and rear (x2)	O	O	O
Storage box - On the shelf	O	O	O
Tuner car radio - 50W	S	-	-
Vision screen - 7 in.	O	O	S
<b>Motorization/Power</b>			
Continuous flow hydraulics	O	O	S
Hand throttle	O	O	S
<b>Secondary functions</b>			
Automatic Greasing System (AGS) - chassis	O	O	O
<b>Lighting</b>			
LED+ side work lights (x4)	O	O	O
LED front road lights (x2)	O	O	O
LED front work lights on cab (x2)	O	S	S
LED rear work lights on cab (x2)	O	S	S
LED work lights - On the top of the boom (fixed part) (x2)	O	O	O
Work lights on cab (x4)	S	-	-

MLT 737-130 PS+ - Dimensional drawing



MLT 737-130 PS+ - Load chart

Machine on tires with forks Imperial





**Head Office**

B.P. 249 - 430 rue de l'Aubinière

44150 Ancenis Cedex - France

Tel: +33 (0)2 40 09 10 11 - Fax: +33 (0)2 40 09 10 97

[www.manitou.com](http://www.manitou.com)



This publication provides a description of the configuration versions and options for Manitou products, which may differ for equipment. The equipment presented in this brochure may be part of a series, as an option, or it may not be available, depending on the versions. Manitou reserves the right, at any time and without notice, to amend the specifications described and represented. The specifications provided do not bind the manufacturer. For more details, please contact your Manitou agent. This is not a contractually binding document. The presentation of the products is not contractually binding. List of specifications non-exhaustive. The logos as well as the visual identity of the company are owned by Manitou and cannot be used without authorisation. All rights reserved. The photos and diagrams contained in this brochure are only provided for consultation and information purposes.

MANITOU BF SA - Limited company with board of directors - Share capital: 39,668,399 euros - 857 802 508 RCS Nantes